



## Ditec Sprint

Simply, all the comfort  
that you have ever wanted

EN



# 3 GOOD REASONS

## Beautiful

Lovely appearance, also ideal for more sophisticated environments.

Available in the plastic version, black or light grey, or in the Alu version, for high-class internal spaces, either in residential or office, studio, and hotel settings.



## Simple

Easy to install, easy to use.

The reduced weight, optional battery and arrangement of the components enable a quick mechanical and electrical installation.



## Modular

The modular line, for your every requirement.

You can choose the Alu cover or the plastic one. Additional choice of: 24 V DC power supply (without transformer) and 230 V AC versions are available and the battery is always optional.



# Ditec Sprint



**Automation for swing doors**  
Facilitates movement and improves quality of life

**Beautiful.** The new Ditec Spring automation, thanks to its neutral and elegant appearance is the ideal solution for both residential and high-class environments, such as professional studios, shops, offices and hotels.

Available in light grey, black or elegant satin-finished aluminium, it is suitable for internal swing doors up to 110 kg.

**Simple** to assemble and install thanks to the lower weight fastening plate and the adjustments which can be set on the electronic card.

**Simple** configuration according to user preferences and requirements, thanks to the PUSH & GO and LOW ENERGY modes, for total ease of use.

**Modular.** It is possible to select the 24 V DC or 230 V AC power supply operator with the desired cover, the most suitable arm and add batteries, if required: the installers just have to select what they really need and if they wish they can integrate the selectors, the sensors and the other Ditec accessories for a more complete installation.

## Characteristics

Type of operation	motor opening and closing
Kinematic management	encoder
Maximum capacity (see operation diagram)	110 kg
Duration test	1,000,000 door cycles
Protection rating	IP30
Electrical protection	class I class II (plastic cover)
Operating temperature	-20°C / +55°C (-10°C / +50°C with batteries)
Opening time	3 ÷ 6 s/90° (adjustable)
Closing time	4 ÷ 7 s/90° (adjustable)
Door open pause time	0 ÷ 30 s
Product dimensions (mm)	79x93x450
Product weight	4 kg

## Product range

Operator	Power supply	Cover	Transformer
SPRINTV	230 V AC	aluminium	■
SPRINTP	230 V AC	light grey plastic	■
SPRINTPN	230 V AC	black plastic	■
SPRINTLV	24 V DC	aluminium	
SPRINTL	24 V DC	light grey plastic	
SPRINTLN	24 V DC	black plastic	



SPRINTV - SPRINTLV

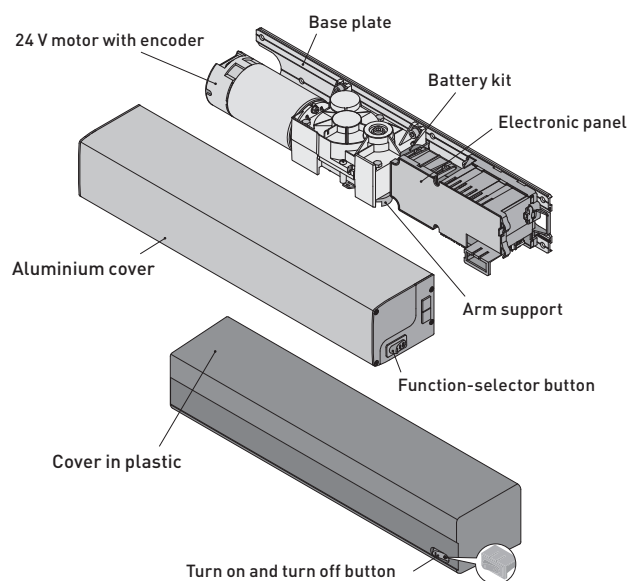


SPRINTP - SPRINTL



SPRINTPN - SPRINTLN

## Main components



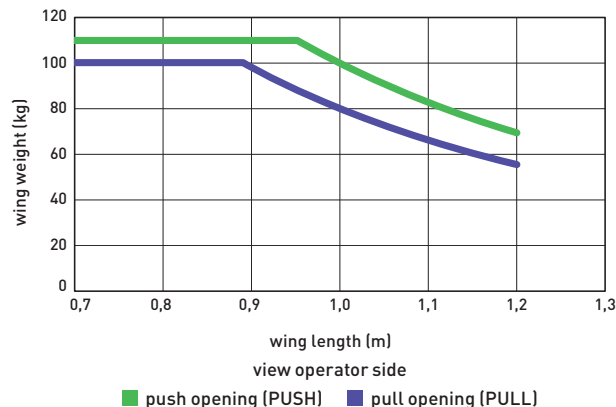
# Accessories and much more

## Movement arms

- SBA: arm with articulated motion
- SPRINTBRAS: arm with three-sections articulated motion for doors that open inward; automation seen from the side
- SBS: arm with sliding motion



## Operation diagram



## Specific accessories

- SPRINTBAT: battery kit
- SPRINTSET: configuration card for activating special functions
- COMH: mechanical switch program selector
- COMK: mechanical key program selector

## Certifications

**MD**  
Machine Directive

**EMCD**  
Compatibility Directive  
Electromagnetic

**LVD**  
Low Voltage Directive

**EN 16005**  
User Safety Standard

When building the system, only use Ditec accessories and safety devices.

Every Ditec automation features CE marking and is designed and built in compliance with the safety requirements of the Machinery Directive (2006/42/EC), of the Electromagnetic Compatibility Directive (2004/108/EC) and of the Low Voltage Directive (2006/95/EC) and of other Directives, laws, specific standards for special products and situations.

The Company reserves the right to make changes which may improve the products.

For this reason, the technical details given are not binding.

Pictures were taken with the consent of those concerned or in public locations.

Further information can be found in the Technical Manuals available at the website: [www.ditecentrematic.com](http://www.ditecentrematic.com)

# ENTRE//MATIC



## Entrematic Italy S.p.A.

Via Mons. Banfi, 3 • 21042 Caronno P.lla (VA) • Italy

Tel +39 02 963911 • Fax: +39 02 9650314

[ditec@entrematic.com](mailto:ditec@entrematic.com)

[www.ditecentrematic.com](http://www.ditecentrematic.com) • [www.entrematic.com](http://www.entrematic.com)

Cod. P202B - Rev. 2 - 10/2015

Ditec Sprint

gdp milano 147965

Ditec branches are in: France, Germany, Portugal, Spain, Turkey, USA and Canada.  
For addresses and contacts visit our website [www.ditecentrematic.com](http://www.ditecentrematic.com)

