

SAFE **24V**  
VIRTUAL  
ENCODER

VERSATILE   
SETTING

INNOVATIVE   
NEW  
CONCEPT



## Entrematic LCU

Control panels for 1 or 2 24 V motors  
for swing gates

EN

# Entrematic LCU

Entrematic LCU is the new range of multifunction control panels for one or two 24 Volt DC motors for swing gates.

Available in two versions: **LCU30H for motors up to 6 A** and **LCU40H for motors up to 12 A**.

Both panels make it easy to use the display to configure position and speed at any time, allowing adjustment for acceleration, deceleration, start time, slowdown distance and approach speed during opening and closing.

The gate can now be opened and closed via Bluetooth with a smartphone app, and access credentials are easily managed (with an optional accessory).

## Entrematic LCU30H

For motors up to 6 A



two-digit display and navigation buttons for easy configuration and diagnostics

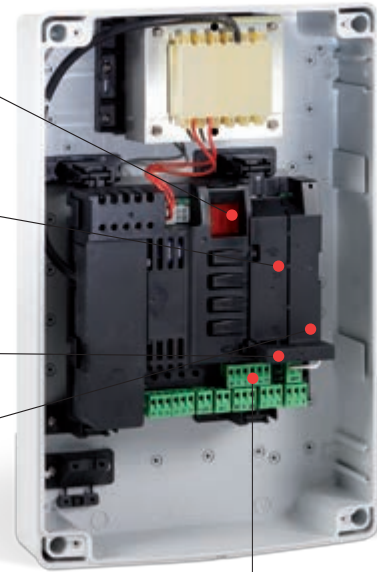
housing for plug-in control and safety cards (self-testing safety ribs, magnetic loop motion detector, Bluetooth gate opening module and access credential management)

433/868 MHz radio receiver module, removable and interchangeable

removable memory to save operating settings for duplication on another operating device, and for programming remote controls

## Entrematic LCU40H

For motors up to 12 A



Electronic card with plastic protection, can be removed if supplementary accessories are installed



### SAFETY FIRST thanks to the virtual encoder

- constant monitoring of impact forces and immediate obstacle detection ensuring that the operating device is stopped or the motion is inverted (if configured) when obstacles are detected
- precise speed setting with the ability to configure slowing and start time, preventing mechanical stress during closing or opening
- possibility to comply with operating impact values without having to fit active sensitive edges
- compliant with standard 13849 with or without installation of active ribs



### VERSATILE control panel

- self-learning procedure made easier by the display and navigation buttons. Operating parameters are configured in just two steps
- in the event of a temporary power outage, there is a possibility of connecting to batteries, to guarantee continued operation and enable the system to carry out a large number of movements while the electricity supply is being restored
- partial opening control for pedestrian entry, via remote control or dedicated control (e.g. key switch)

## OUR EXPERTISE AT YOUR SERVICE

A complete range. A dedicated team of specialists. Excellent technology and design. Passionate to be different.

Entrematic is a commercial partner with a complete range in the entrance-automation sector, which combines specialised know-how and high-profile brands.

The Ditec brand has been a world leader for more than 40 years, offering a complete range of automation systems for gates, automatic doors and high-speed doors.



# New features for you and your customers

## NUMEROUS ADVANTAGES FOR YOUR CUSTOMERS

technologically advanced solutions make the system easy to sell



### GREEN Mode

immediate savings can be made thanks to control over standby consumption

In most residential installations with medium use, the control panel is in standby around 90% of the time and active only 10% of the time.

The new GREEN mode feature, already included in LCU40H, was designed to reduce electricity consumption during standby, offering immediate savings to electricity bills.



### HYBRID TECHNOLOGY to optimize energy use

The new battery controller (optional) not only adjusts loads, but has additional features: it constantly determines whether to power the system with a solar-rechargeable battery or whether it is necessary to use electricity.

This makes it possible to install systems powered exclusively with solar energy, in stand alone mode.



### SIMPLE AND SECURE ACCESS via smartphone and access credentials\*

It is now possible to easily open the gate with a smartphone, via Bluetooth, activating access credentials for permanent or temporary access for other users, based on time periods that can be configured and adjusted at any time (with the optional accessory).

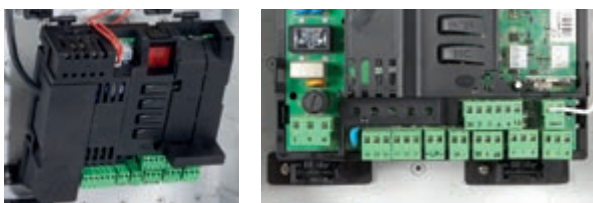
\*available from September 2017



## CONFIGURE WITH EASE on LCU40H

The panel can be completely removed, for improved convenience during wiring, better viewing of the display and simpler insertion of batteries in the back

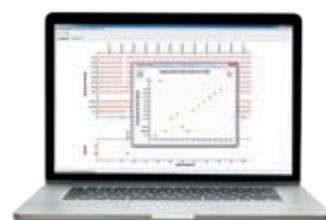
- dedicated opening, closing and stop contacts
- automatic closing management
- contact to indicate gate status



## AND IF YOU CAN'T resolve a problem

- integrated diagnostics with counters and history for the most recent alarms, visible on the panel display (LCU30H and LCU40H)
- in-depth diagnostics with registration of all events on a micro SD card (on LCU40H). Data can be displayed and precisely analysed with software

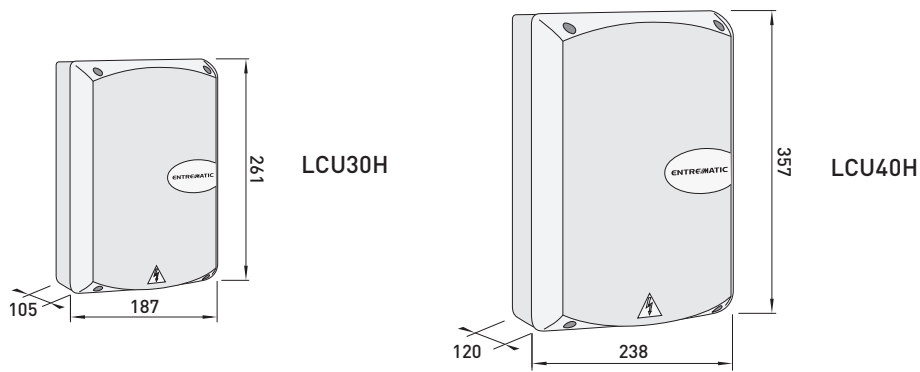
Micro SD slot for extended datalogging on LCU40H



## FULL COMPLIANCE WITH EU DIRECTIVES AND STANDARDS



- 2014/30/EU - EMCD - Electromagnetic Compatibility Directive
- 2014/53/EU - RED - Radio Equipment Directive
- 2006/42/EC - Machines Directive (Annex II-B; Annex II-A; Annex I-Chapter 1)
- **Harmonised EU Standards:** EN ISO 13849-1 and EN ISO 13849-2 (certified by TÜV Rheinland only for LCU40H); EN 60335-1; EN61000-6-3; EN61000-6-2; ETSI EN 300 220-1; ETSI EN 300 220-2; ETSI EN 301 489-1; ETSI EN 301 489-3



## Main functions of the system

Description	LCU30H	LCU40H
Control panel	for 1 or 2 24 Volt DC motors with incorporated radio decoder and 433 MHz receiver module	for 1 or 2 24 Volt DC motors with incorporated radio decoder and 433 MHz receiver module
433 MHz --> 868 MHz interchangeable receiver module	■	■
Mains power supply	230 V - 50/60 Hz	230 V - 50/60 Hz
Batteries	■ (with optional accessory)	■ (with optional accessory)
Motor power supply	24 V DC / 2 x 6 A Ditec PWR25H, Ditec PWR35H, Ditec ARCBH, Ditec Facil	24 V DC / 2 x 12 A Ditec PWR25H, Ditec PWR35H, Ditec PWR50H/HV/HR, Ditec ARCBH/1BH, Ditec Facil, Ditec Cubic, Ditec DOR
Compatible motors		
Accessories power supply	24 V DC / 0.3 A direct - 0.5 A max.	24 V DC / 0.5 A direct
Electro-mechanical lock	■	■
Flashing light	24 V DC	24 V DC
Gate-open warning light	Shared with electro-mechanical lock or flashing light	■
Limit-switch provision	■	■
Virtual encoder (speed and deceleration control)	■	■
Settings adjustment	from display	from display
Braking / Slowing down	■	■
Soft start / Soft stop	■	■
Time setting	■	■
Open control	■	■
Partial opening control	■	■
Close control	■	■
Stop control	■	■
Inching control	■	■
Hold-to-run control	■	■
Adjustable automatic closing time	■	■
Contact for automatic closing management	■	■
Emergency stop	■	■
Safe closing (inversion)	■	■
Safety test (for self-testing safety devices)	■	■
NIO - Antifreeze system	■	■
Green mode (standby consumption <1 W)	■	■
Integrated datalogging (counters and recent alarm history)	■ (can be viewed on display)	■ (can be viewed on display and on PC with SW Amigo)
Extended datalogging with micro SD (in-depth records for every event)	■	■ (can be viewed on PC with SW Amigo)
FW update through USB/Micro SD	■	■
Operating temperature	-20°C / +55°C (-35°C / +55°C with NIO enabled)	-20°C / +55°C (-35°C / +55°C with NIO enabled)
Protection rating	IP55	IP55
Product dimensions (mm)	187x261x105	238x357x120

## THE RIGHT ACCESSORIES ARE EASY TO CHOOSE

### Card

for Bluetooth control using a smartphone app and access credential management (available from September 2017)



### Controller

to manage batteries and solar energy production, complete with assembly brackets



### 868 MHz receiver module



### Batteries

complete with installation BOX  
- 2 x Batteria 2 Ah + small IP55 box  
- 2 x Batteria 6.5 Ah + large IP55 box



### Entrematic Italy S.p.A.

Largo U. Boccioni, 1 • 21040 Origgio (VA) • Italy

Tel +39 02 963911 • Fax: +39 02 9650314

ditec@entrematic.com

www.ditecentrematic.com • www.entrematic.com

Cod. N213B - 01/2017

Entrematic LCU

gdp milano 170465

Present in: France, Germany, Spain, Turkey and Canada.

For addresses and contact information see our website [www.ditecentrematic.com](http://www.ditecentrematic.com)

