

# The Upgrade Version Access Controller



## ASC-DE12/24 Access Controller



Arm 7 processor, RTOS system, new PCB circuit design



Optical coupling isolation protection, more stable



Advanced access control function, including multi-card, first card, interlock and anti-passback etc.



Record capacity can be extended, it can be 130,000pcs



Multiple authentication mode, it supports card, password, card + code and fingerprint.



Alarm linkage and relay self-defined.



TCP/IP communication mode, there is 5 SOCKET port.

## Hardware Design

New design and new integration, it supports TCP/IP communication mode and have 5 SOCKET port.

- Large Capacity FLASH
- Multiple output and input Protection
- Optimized Design



## Systemic Linkage Function

Abundant ports are reserved for future usage and add to multiple events linkage, it supports illegal card alarm linkage, alarm linkage to open door etc.



## Economic Access c Management

D series products can ensure the cost of project is lo, but device access control function is perfect.

- First Card
- Multi-card Open
- Anti-passback
- Remote Control
- Multi-door interlock
- Threaten Code
- Normal Open Automatically



## Multiple Authentication Management

Professional management function, manger can mange person access more efficiently and safe.

- Cancel normal open by card
- Multiple authentications
- Card failure and activate time.
- Access time segment setup



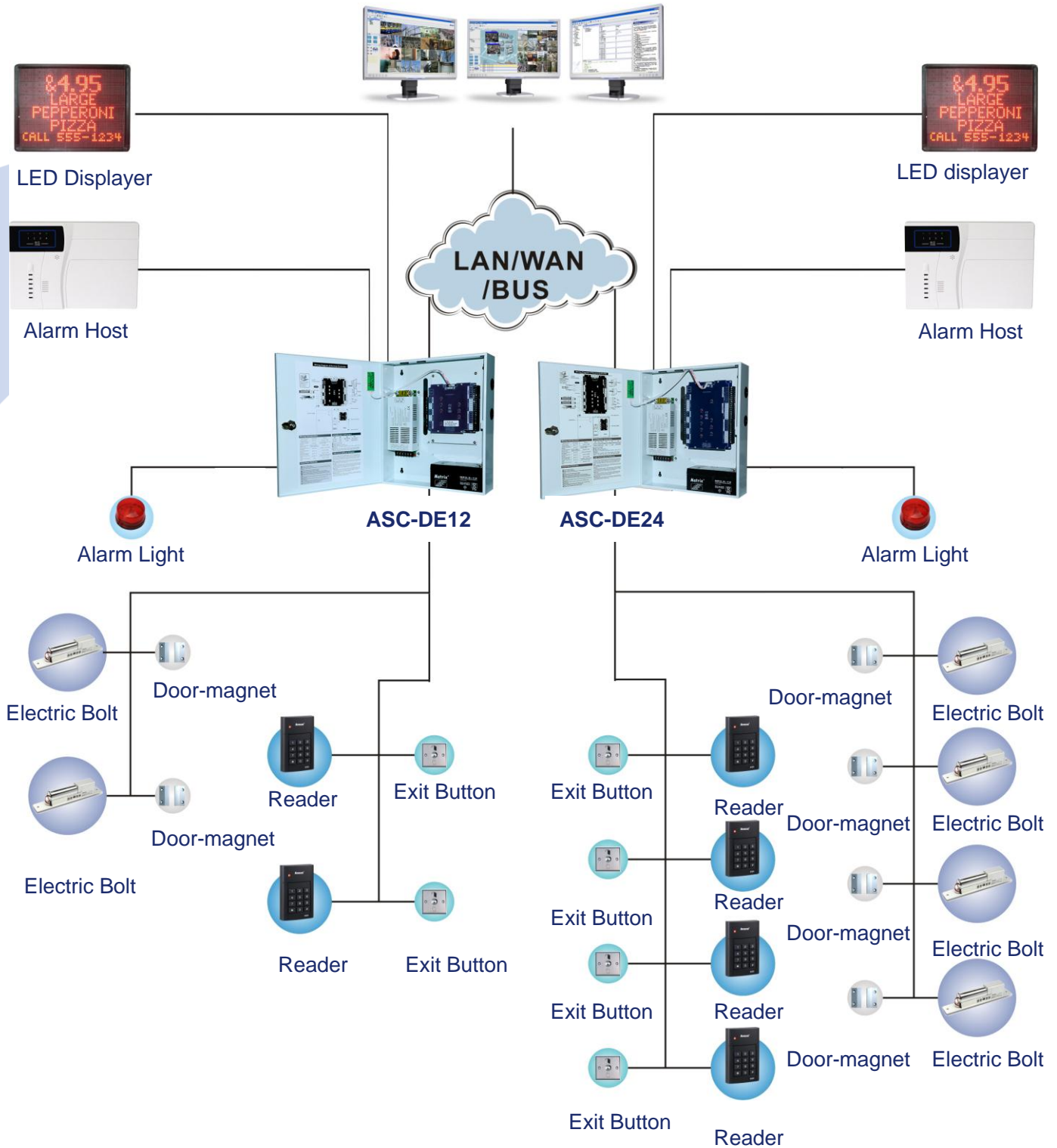
## Powerful Software

When D access controller series work with Safesmart software, it can achieve more complex security function. Such as, access data search, employee shift, attendance statistics.

- Access Control and video device linkage
- Attendance
- On-line access control
- Real-time Remote monitoring



## ASC-EM12/EM24 Topology base on Safesmart software



## Product Parameter

| Parameter                    | ASC-DE12  | ASC-DE24   |
|------------------------------|---|--|
| Access Mode                  | It supports card, card+ password, card or password, password                          | It supports card, card+ password, card or password, password                           |
| Event Type                   | Legal card, illegal card, anti-passback, exit button, password, threaten code.        | Legal card, illegal card, anti-passback, exit button, password, threaten code.         |
| Alarm Event Type             | Door-magnet alarm, self-defined alarm, threaten code alarm                            | Door-magnet alarm, self-defined alarm, threaten code alarm                             |
| Linkage Function             | All event and alarm can linkage any or multiple relay output                          | All event and alarm can linkage any or multiple relay output                           |
| Access Group                 | 200 group   | 200 group  |
| Holiday Schedule             | 300   | 300  |
| User Capacity                | 20000   | 20000  |
| Record Capacity              | 70000   | 70000  |
| Reader Port                  | 2   | 4  |
| Exit Button Port             | 2   | 4  |
| Door-magnet Port             | 2   | 4  |
| Lock Output                  | 2   | 4  |
| Door-magnet Alarm Output     | 1   | 1  |
| Self-defined Alarm Output    | 1   | 1  |
| Self-defined Alarm Input     | 2   | 4  |
| Communication Port           | 10/100MTCP/IP, 1 extension RS485 communication port                                   | 10/100MTCP/IP, 1 extension RS485 communication port                                    |
| Input Protection             | Opto-isolator protection  | Opto-isolator protection   |
| Output Protection            | Varistor Protection   | Varistor Protection  |
| Extension Function           | It supports LED displayer, alarm host and so on.                                      | It supports LED displayer, alarm host and so on.                                       |
| Video Recording and Snapshot | All Event and alarm can linkage any video to record or snapshot by Safesmart software | All Event and alarm can linkage any video to record or snapshot by Safesmart software. |
| First Card                   | Any cards can be first card.  | Any cards can be first card.   |
| Multiple Cards               | To open a door by multiple cards, manager can set 4 cards to open a door at most.     | To open a door by multiple cards, manager can set 4 cards to open a door at most.      |
| Remote Control               | Any doors can be opened by center authentication.                                     | Any doors can be opened by center authentication.                                      |
| Forced Control               | User can open/close door forcibly.  | User can open/close door forcibly.   |
| Threaten Code                | 6 digits password, it is used in some special situation,                              | 6 digits password, it is used in some special situation,                               |
| Open by Password             | Each of user have a group password  | Each of user have a group password   |
| Timed Normal Open            | User can setup three time-segment to let door open timed.                             | User can setup three time-segment to let door open timed.                              |
| Door Bolt Mode               | It can open door by card during some  | It can open door by card during some   |

|                                    |             |  |  |
|------------------------------------|-------------|--|--|
|                                    |             | special time.  | special time.  |
| Timed invalidation for exit button |             | Exit button invalidation can be set for three time-segments.         | Exit button invalidation can be set for three time-segments.         |
| Anti-passback                      |             | Two readers or all readers can be set in a group                     | Two readers or all readers can be set in a group                     |
| Temporary Card Quantity            |             | All users can be set as temporary cards                              | All users can be set as temporary cards                              |
| Self-defined Input/Ouput           |             | User can self-define input/output function to relative relay.        | User can self-define input/output function to relative relay.        |
| Activate/dismiss security          | By manually | Any user card can be appointed to activate/dismiss security function | Any user card can be appointed to activate/dismiss security function |
|                                    | By software | Activate/dismiss security function can be realized by software       | Activate/dismiss security function can be realized by software       |
| Communication Security             |             | Password encryption during data transmission                         | Password encryption during data transmission                         |
| Transmission Mode                  |             | It supports TCP,UDP,RTP and multicast mode,                          | It supports TCP,UDP,RTP and multicast mode,                          |
| Data Storage Mode                  |             | Cycled storage   | Cycled storage   |