

PRODUCT TECHNICAL DATASHEET

MONOS4

Brushless 

Intensive use 

Digital Encoder 

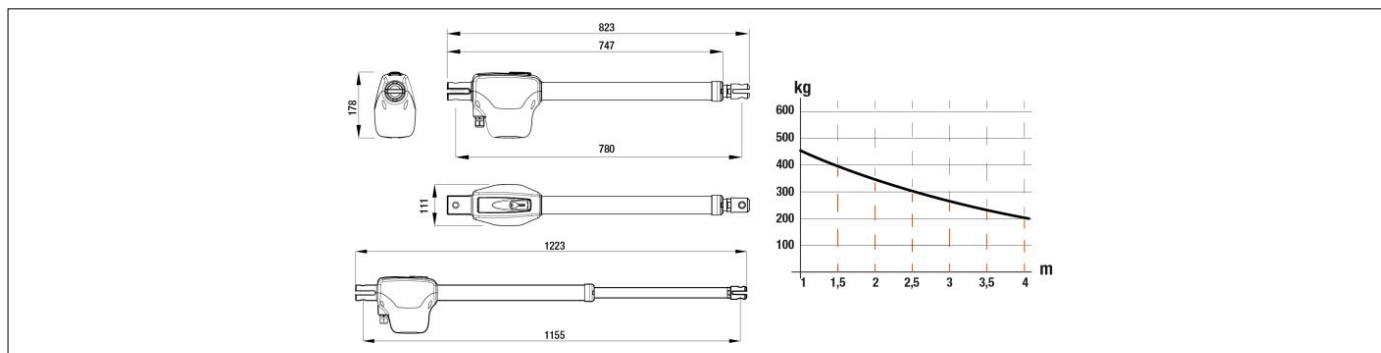


CODE	DESCRIPTION	PCS/PALLET
MONOS4	Electromechanical actuator with telescopic arm, BRUSHLESS, low voltage, super intensive use, with native encoder onboard, irreversible, ideal for swing gates with leaf up to 4 m length.	50

PRODUCT TECHNICAL SPECIFICATIONS

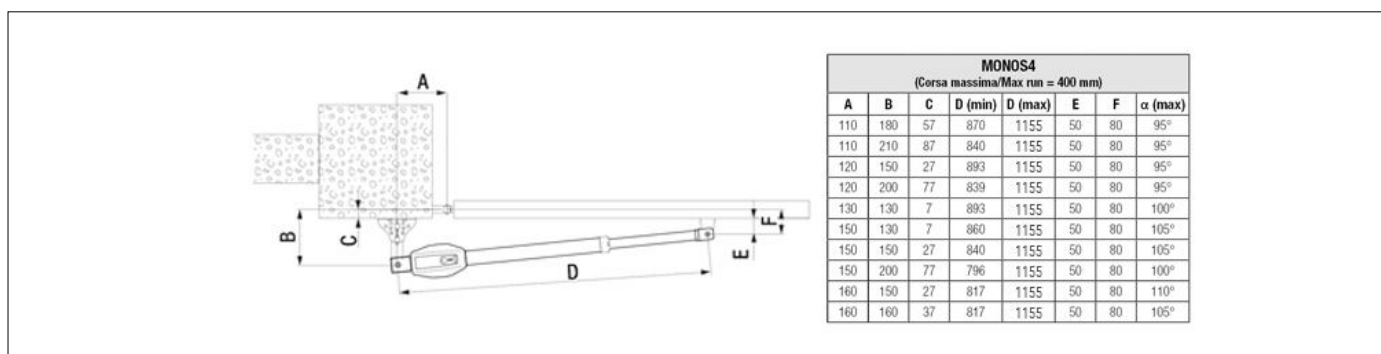
Power line supply	230V AC - 50Hz
Motor power supply	24V
Power rating	200W
Frequency of use	Intensive use
Thrust	2200N
Operating temperature	-20 C° +55 C°
Protection level	IP44
Reductor Type	Irreversible
Manoeuvre speed	2,10 cm/s
Opening time	19-35 s
Stroke	400 mm
Limit switch	-
Recommended digital controllers	230V: B70/2DC/BOX - 115V: B70/2DC/BOX/115
Encoder	Digital native encoder SENSORLESS 48 PPR
Operating cycles per day (opening/closing - 24 hours no stop)	700
Maximum dimension product in mm (L x W x H)	1223 x 178 x 111
Product weight packed (Kg)	7
Number items per pallet	50

PRODUCT DIMENSIONS AND PREPARING FOR INSTALLATION



DIMENSIONS

PRODUCT PREPARING FOR INSTALLATION



PREDISPOSITION FOR STANDARD INSTALLATION

PRODUCT ACCESSORIES



B71/PBX24/BOX
Hybrid inverter, "Network Assisted" version, for powering the automation. Also provides a battery-charger function thanks to the connection to the solar panels or mains supply for powering the 24V DC brushless digital controllers with a mains voltage of 230V AC.



B71/PBX24/BOX/115
Hybrid inverter, "Network Assisted" version, for powering the automation. Also provides a battery-charger function thanks to the connection to the solar panels or mains supply for powering the 24V DC brushless digital controllers with a mains voltage of 115V AC.



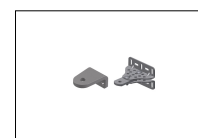
B71/PBX/BOX
Hybrid inverter, "Full Solar" version, for powering the automation. Also provides a battery-charger function thanks to the connection to the solar panels for powering the brushless digital controllers.



HT420
Stem cover for MONOS4 series.



KT204
Short rear hinge plate to weld.



KT246
Kit of screw adjustable short rear bracket and front bracket to screw (MONOS4).



KT248
Front bracket support with M8 pins for MONOS4.



R99/C/001AL
Signboard "Automatic Opening" Aluminium version.



R99/C/001
Signboard "Automatic Opening".